



# NEW GENERATION OF ACRYLIC IOLS , COMBINING DESIGN INNOVATIONS AND CLINICAL PERFORMANCE

## SUPERIOR STABILITY DESIGN

MFR<sup>2</sup> is a new generation acrylic intraocular lens that combines design innovations to improve its clinical performance and to complement your surgical skills.

## 360° SQUARE EDGE

Efficient protection against cellular proliferation and PCO even in the optic-haptic junction areas. The haptic angle of 6° degrees supports the posterior optic against the posterior capsule, maximizing the blocking effect of the square edge.

## ABERRATION-FREE ASPHERIC OPTIC

MFR<sup>2</sup> features a unique aspheric optic design optimized by state-of-the-art ray tracing software. Unlike other aspheric intraocular lenses in which negative spherical aberration is induced, MFR<sup>2</sup> optics is free from spherical aberrations, allowing for greater depth of focus and maintaining both visual acuity and contrast sensitivity intact in case of decentration.

### ENHANCED DEPTH OF FOCUS

DISTANCE FROM OBJECT	INFINITE	4m	2m	1.3m
VERGENCE	0D	0.25D	0.50D	0.75D
AVERAGE EYE WITH ASPHERIC IOL WITH NEGATIVE SPHERICAL ABERRATION	<b>E</b>	<b>E</b>	<b>E</b>	<b>E</b>
AVERAGE EYE WITH MINIFLEX®	<b>E</b>	<b>E</b>	<b>E</b>	<b>E</b>

### COMPARISON OF IMAGES ACCORDING TO LENS DECENTRATION

ASPHERIC IOL	MINIFLEX
NEGATIVE SPHERICAL ABERRATION	
<b>E</b>	PERFECTLY CENTERED <b>E</b>
<b>E</b>	0.5 mm DECENTERING <b>E</b>
<b>E</b>	1.0 mm DECENTERING <b>E</b>

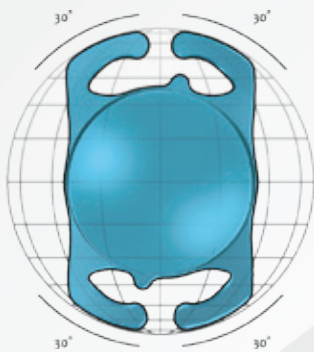
# SUPERIOR STABILITY DESIGN

MFR<sup>2</sup>® innovative platform with five capsular support points provides excellent implant stability. The 4 flexible haptics adapt to the various capsular bag diameters. Haptic support in double longitudinal axes and the wide capsular contact angle avoid tilt and torsion of the optic, providing precise and stable refractive results.



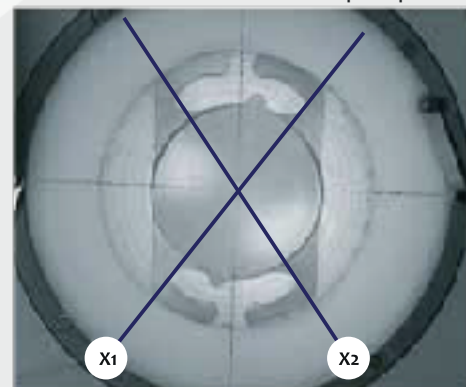
## CONTACT ANGLE

Wide capsular contact angle (120 °)

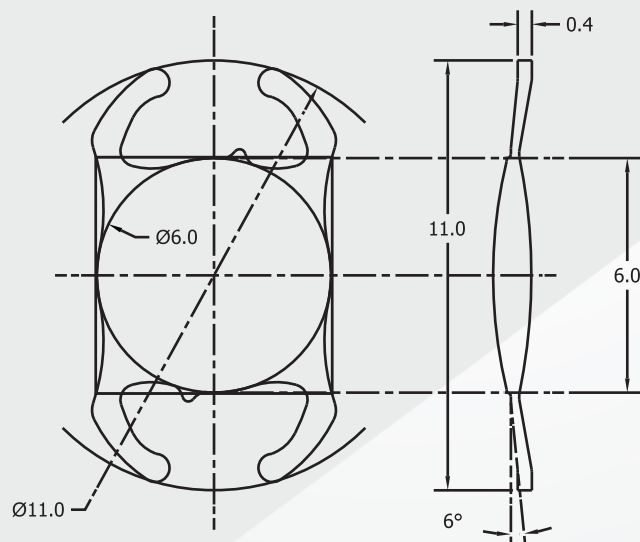


## DOUBLE AXIS HAPTICS

Avoids torsion and tilt of optic part



## SPECIFICATIONS



\*"A" Constant, ACD and Surgeon Factor are estimated and suggested. It is recommended that the surgeon customize these values according to their surgical technique and results history.

SPHERICAL ABERRATION	Neutral	UV BLOCK	Yes
HAPTIC ANGULATION	6° Step-Vault	INCISION SIZE	≥ 2.4 mm
HAPTIC DESIGN	4 Haptics	INJECTION SYSTEM	Disposable injector optional
SQUARE EDGE	360°	SPHERICAL POWER	+5.0D to +30.0D At 0.50D intervals
REFRACTION INDEX	1.462	SPECIAL RANGE SPHERICAL POWER	+30.0 D to +35.0 D
MATERIAL	Acrylic Hydrophilic	Constant A* (SKR/T)	118.11
OPTIC ZONE DIAMETER	6.0 mm	Constant ACD*	4.95
TOTAL LENGTH TOTAL	11.0 mm	Constant SF*	1.17
POSITIONING	Capsular Bag	MKT Authorization at Anvisa	10161020020
LENS TYPE	Biconvex, Aspheric Anterior		